

BIKE BRITE® DRUM PUMP / Part Number (MC44DP55G)

INSTALLATION INSTRUCTIONS

Warning: Before using any kind of pump, make sure you fully understand the nature of the fluid to be dispersed, i.e., non-volatile, volatile, hazardous, caustic, etc.

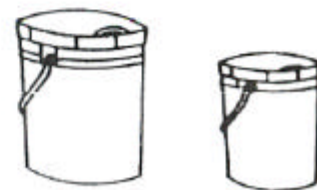
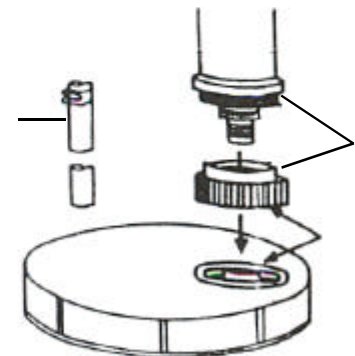
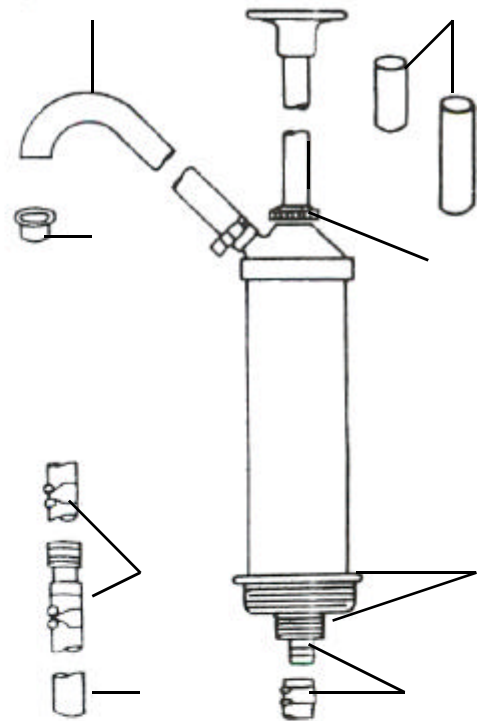
Remember some solutions can be harmful. Wear safety glasses and protective clothing, such as gloves, etc. Always use extreme caution when using any kind of pump.

1. CAUTION - BEFORE USING THE PUMP, carefully read and follow the precautions on this instruction sheet and on the product drum label.
 - a.) Screw clamp only (not spring clamp) and must be used to secure spigot onto pump head.
 - b.) Spigot must be permanently attached for use. Do not pull or twist spigot.
 - c.) Do not hang containers and other objects from the end of the spigot because they may pull the spigot off the pump head.
 - d.) Make certain spigot is positioned as in drawing; with liquid exiting downward.
2. Join two lengths of extension tubing by use of tube connectors and two spring clamps. For 5-gallon drums, attach one extension tube only and cut to size.
3. Attach extension tubing to outlet on bottom of pump and secure with spring clamp.
4. Insert pump in pre-threaded drum cap and hand tighten.
5. Pump delivery per stroke can be adjusted using the slip-on adapters: for 8 oz. delivery do not use adapters, for 6 oz. delivery use small adapter, for 4 oz. delivery use large adapter, for 2 oz. delivery use both adapters. These deliveries are approximate and may vary slightly. To install the adapters, simply unscrew the grip and insert the adapter into the piston rod, then screw the grip back on.
6. Remove spout cap from spigot before use. Replace cap when not in use to prevent foreign material from entering pump and to retard evaporation.
7. For 30 & 55-gallon drums, extension tubing may be cut off to proper length.
8. Entire pump head may be rotated to any desired position, but the person operating the pump should stand to the side or in back of the spigot when operating pump.
9. Packing nut at shaft may be tightened when require to prevent leakage.

5, 30 & 55-GALLON DRUM INSTALLATION INSTRUCTIONS

Note: This adapter is designed to fit only on containers equipped with Bike Brite (Rieke) Closures.

1. Attach tube extensions to outlet on bottom of pump and secure with clamp. Tube extension may be cut off for proper length.
2. Unscrew drum cap containing female threads in the center of the cap. Turn over cap and cut out the center hole of the pre-threaded cap and place cap back onto drum securing tightly.
3. Screw in the male end of the Bike Brite pump directly into cap. If tube length is too long, take out pump and cut off the tubing at a desired length.



Bike Brite, Inc.
7177 Industrial Park Blvd.
Mentor, Ohio 44060
(800) 927-4833
www.bikebrite.com/dealers